

HyperView®

HyperView® Standard Pedestal

Unparalleled Quality and Durability

Construction:

- Fabricated from 0.080 aluminum to minimize corrosion & weight
- Seams and joints are fully welded for strength
- Durable, scratch-resistant powder coat finish – both inside and out
- Silk-screened exterior graphics and text enhances visual appeal and improves durability
- Drip tube on top microphone box channels water away from speaker and power
- Louvered rear door minimizes heat buildup

Installation:

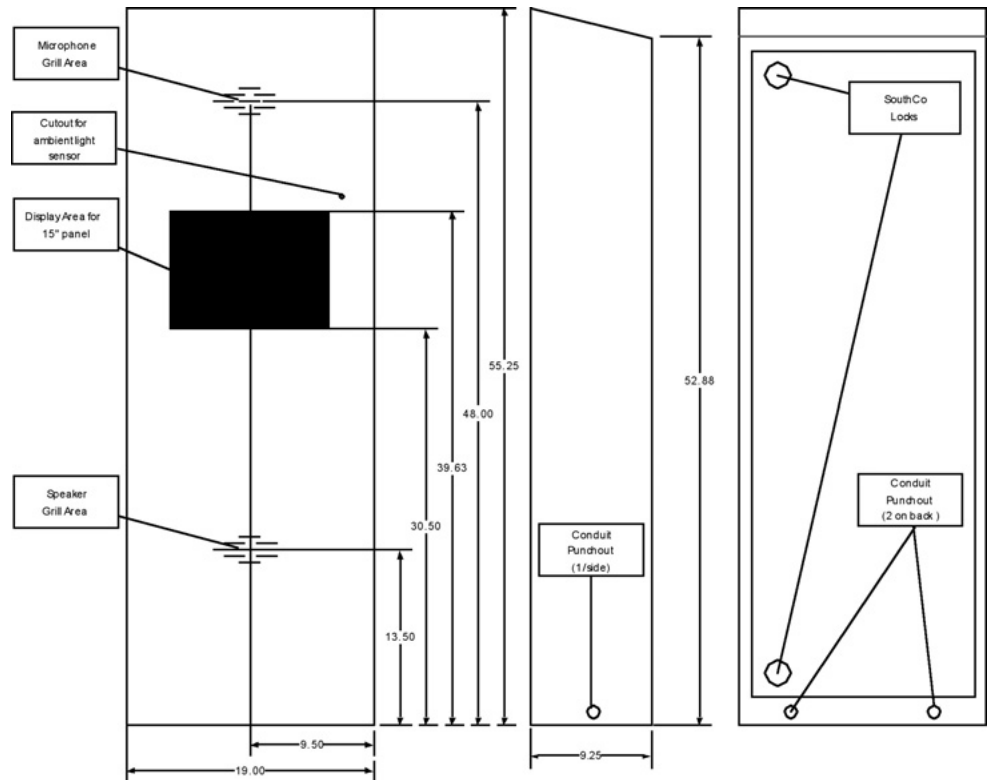
- Punch-outs on sides and back accommodate surface conduit installations
- Large opening in base plate provides ample room for thru-pad power and data
- Single gang electrical box supports hard-wired power installation & optional in-cabinet testing power

Service:

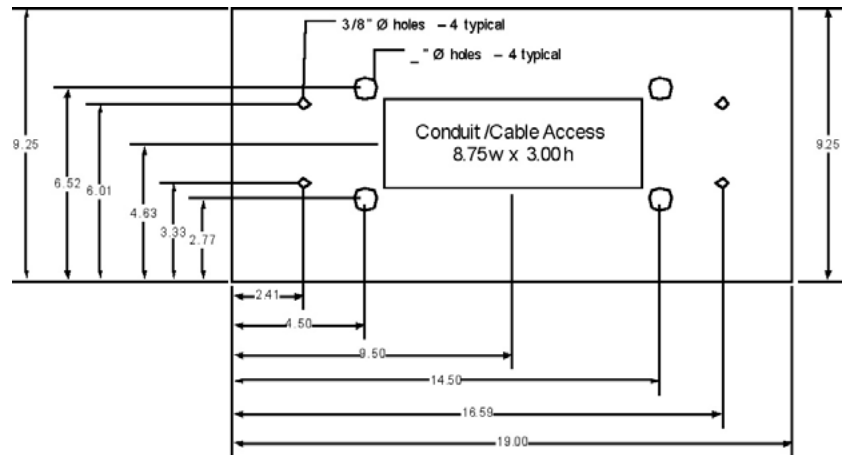
- Full length rear door is hinged for easy access to all internal components
- Dual locks secure rear door against unauthorized access



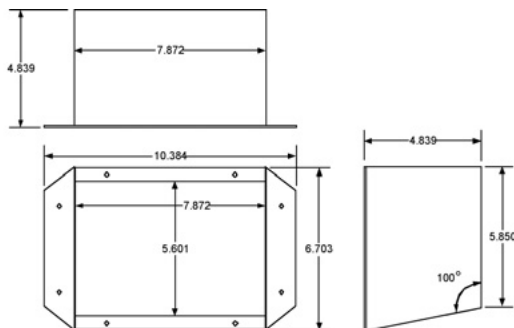
Pedestal Dimensions



Base Plate View



Speaker/Microphone Box (mic has drain fitting+tubing)



Height	55.25 inches
Width	19.00 inches
Depth	9.25 inches
Shipping Weight	48 lbs
Standard Finish	Graphite Black Powder Coat
Warranty	Defects in materials or workmanship for a period of 90 days from ship date
Options (contact HyperActive)	Custom color Custom lettering Custom graphics



730 Holiday Drive, 4th Floor, Pittsburgh, PA 15220
1-877-33HYPER • www.gohyper.com